



MICRO CIRCULAR SERIES

UNDERWATER AND HARSH ENVIRONMENT CONNECTORS

Application

- 1 Remotely Operated Vehicle (ROV) and Autonomous Underwater Vehicle (AUV) systems
- 2 Underwater video, camera and lighting systems
- 3 Diving equipment and systems
- 4 Sonar systems
- 5 Oil rig, offshore oil and gas, and renewable energy systems applications
- 6 Oceanographic systems and equipment

Customized Solutions

- 1 Customers can specify the specification, material and reserved length of supporting wires and cables
- 2 Customers specified main material of the underwater connector
- 3 Makes systematic test plan for different application environment

Connector specifications and property

- 1 Voltage rating 600V DC/AC
- 2 Current rating 5-10A
- 3 Insulation resistance $>200\text{M}\Omega$
- 4 Contact resistance $<0.01\Omega$

Connector material specification

- 1 Connector body Neoprene
- 2 Connector housing Navy copper / SUS316L stainless steel / Titanium
- 3 Pin Gold-plated brass
- 4 Contact Number: 2, 3, 4, 5, 6 and 8 contacts 10, 12 and 16 contacts 21 contacts



OUR ADVANTAGES



EASY SOLUTIONS

ADAPTABILITY IS ONE OF OUR BEST QUALITIES. IT PERMITS US TO COPE WITH YOUR REQUEST ON A SHORT NOTICE AND EFFECTIVELY.



NO PRICE FIGHTS

WE ESCAPED THE CLASSICAL "REBATE UNTIL YOU DROP" POLICY. WE ARE PRICE WISE SINCE THE BEGINNING.



HIGH LEVEL EXPERIENCE

OUR TECHNICAL CAPABILITIES HAVE BEEN TESTED FOR MORE THAN 30 YEARS AND IN DIRECT CONNECTION WITH END USERS. SO TO SAY.



ENDLESS INVESTIGATION

WE CONTINUOUSLY MEASURE EVERYTHING. TEST, TEST AND TEST AGAIN. THIS HELPS US UNDERSTAND RISKS AND REWARDS, AND BE PREPARED.



NO FORTUNE TELLER

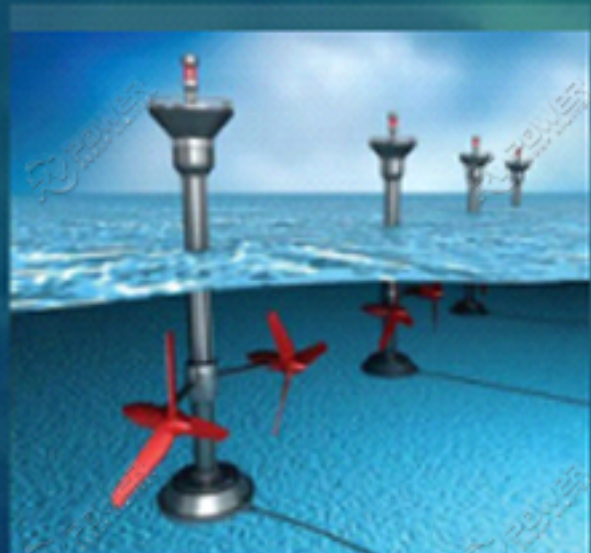
WE BASE OUR DECISIONS ON CLEAR BUSINESS PLANS, THINKING BEFORE MAKING OUR STEPS AND KEEPING A 'NOT TO DO' LIST FOR EVERYONE OF THEM.



TEAM BUILDING

OUR TEAM IS MADE NOT ONLY BY OUR STAFF BUT IT INCLUDES ALSO ALL OUR CUSTOMERS. WE ACT LIKE A TEAM. WE GROW LIKE A TEAM. WE WIN LIKE A TEAM.

APPLICATION



Marine Renewable Energies



Diving



Oil and Gas



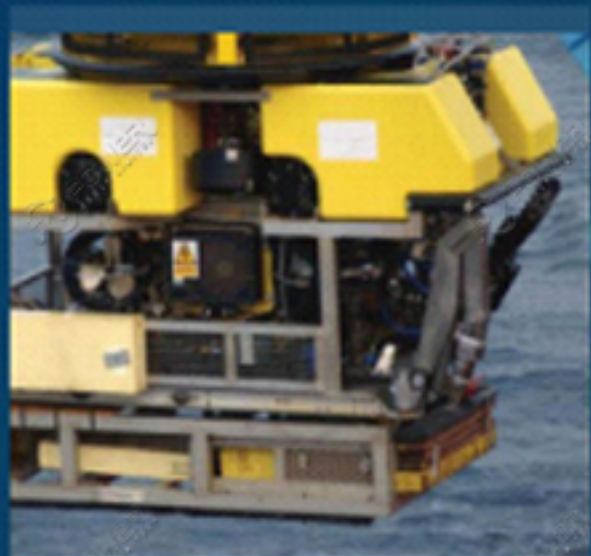
Towed Streamers



Submarines



Water Treatment



ROVs & AUVs



Vessels



Geophysics

PRODUCT MIX



Circular Series 2 Contact



Circular Series 3 Contact



Circular Series 4 Contact



Circular Series 5 Contact



[Circular Series 6 Contact](#)



[Circular Series 8 Contact](#)



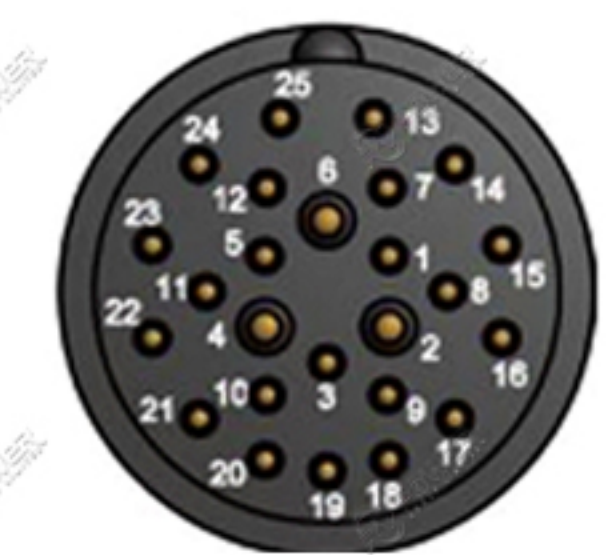
[Circular Series 10 Contact](#)



[Circular Series 12 Contact](#)

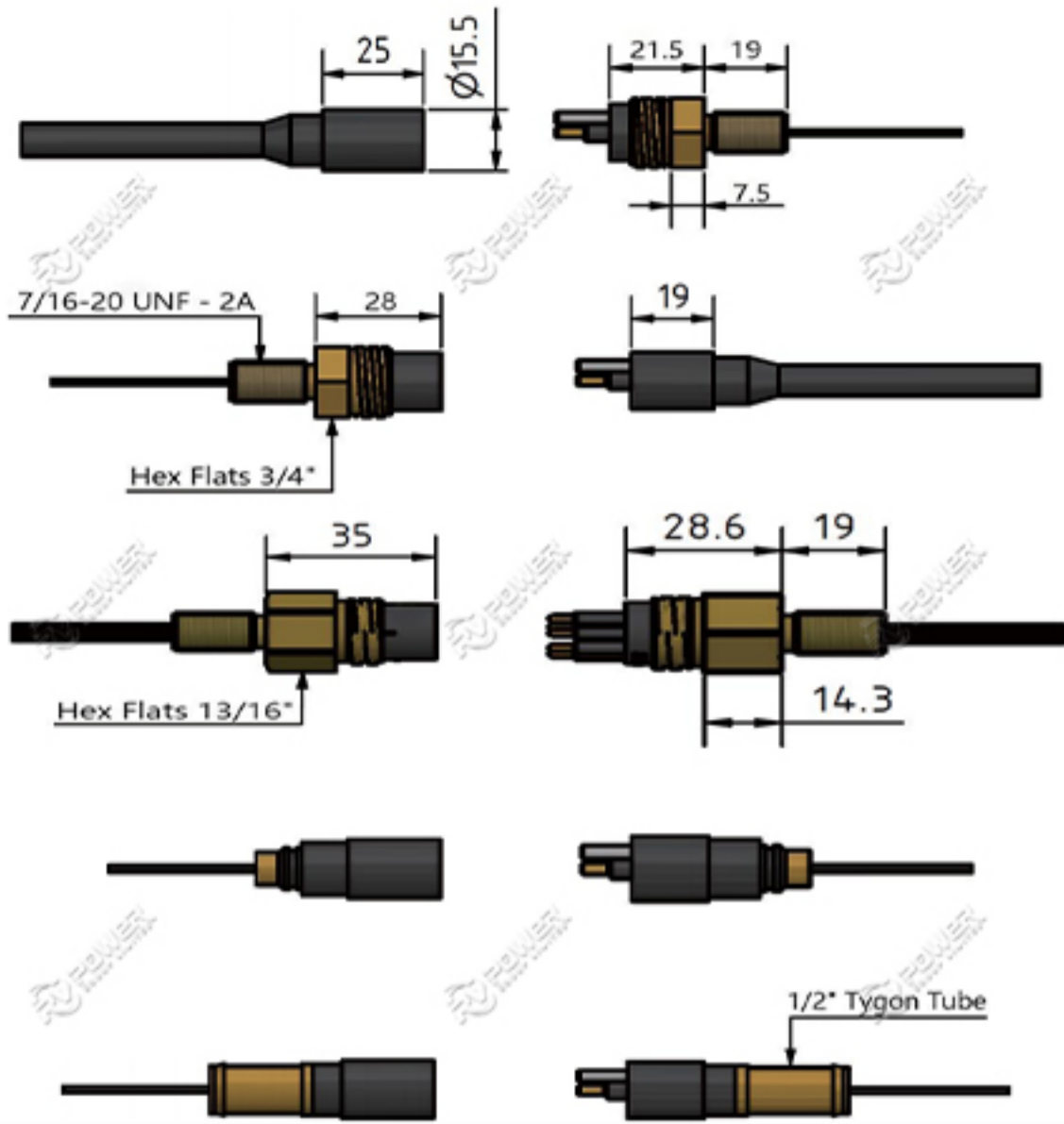


[Micro Circular Series 16 Contact](#)

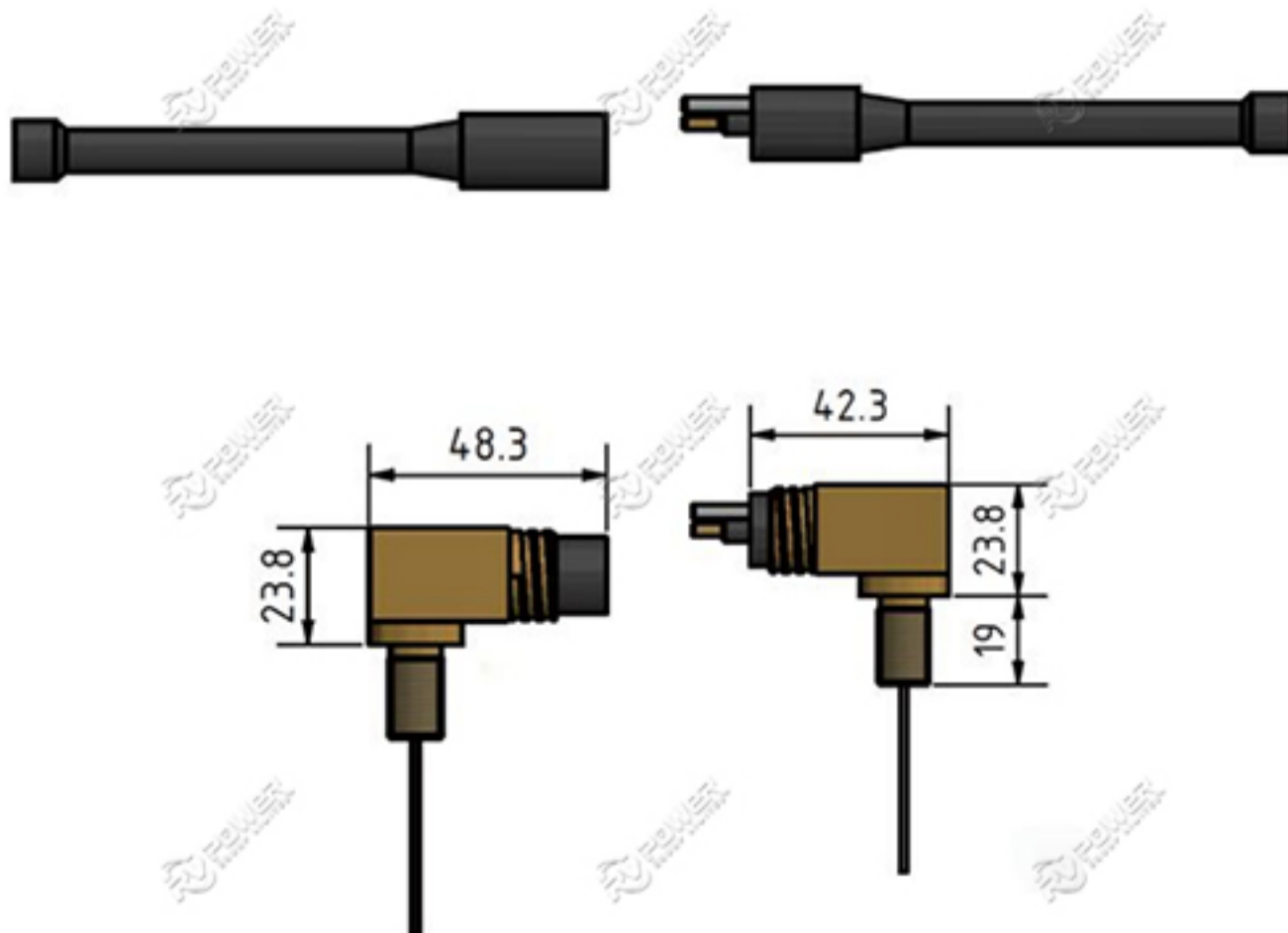


[Circular Series 21 Contact](#)

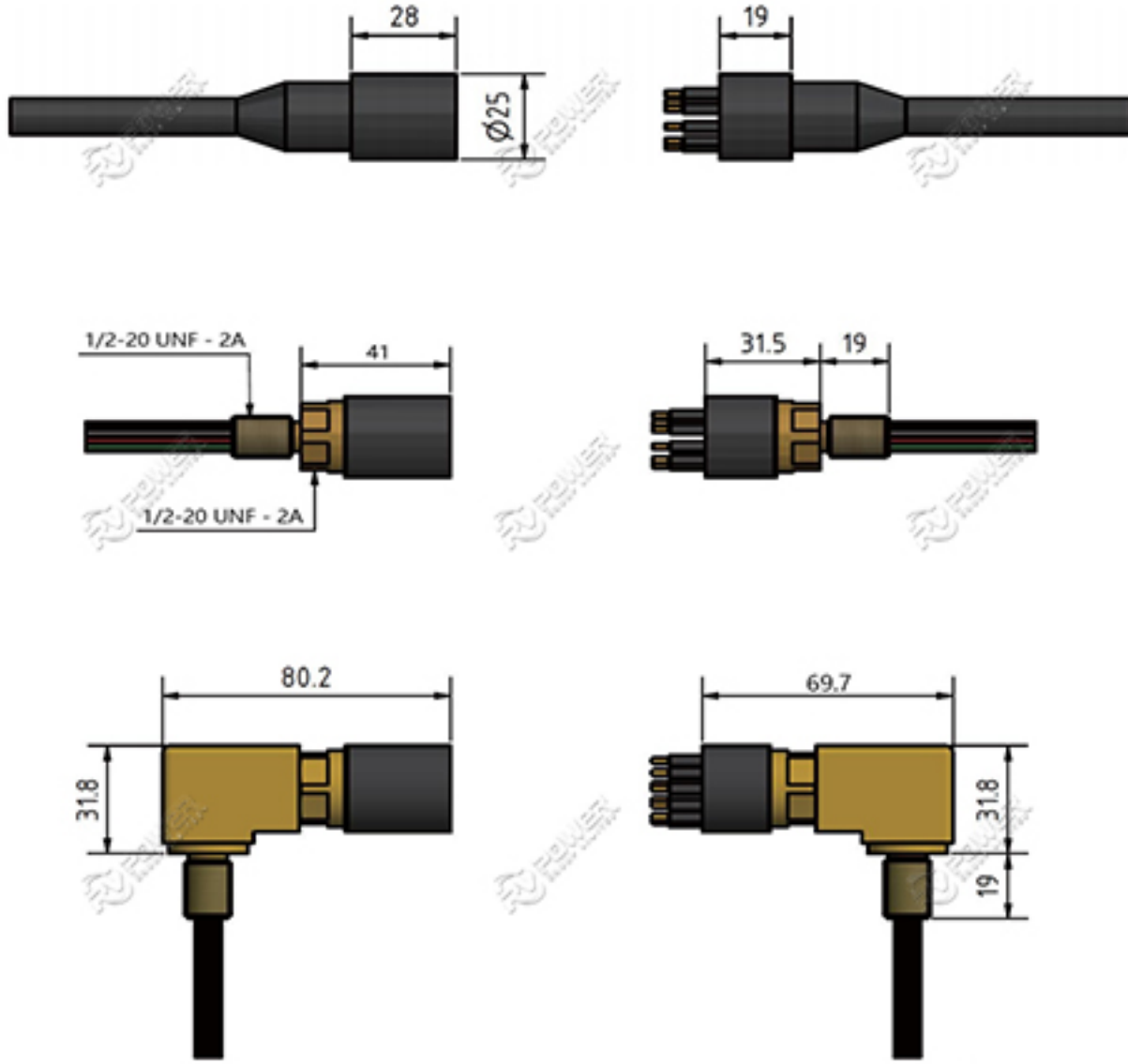
MicroCircular 2,3,4,5,6 and 8 contacts



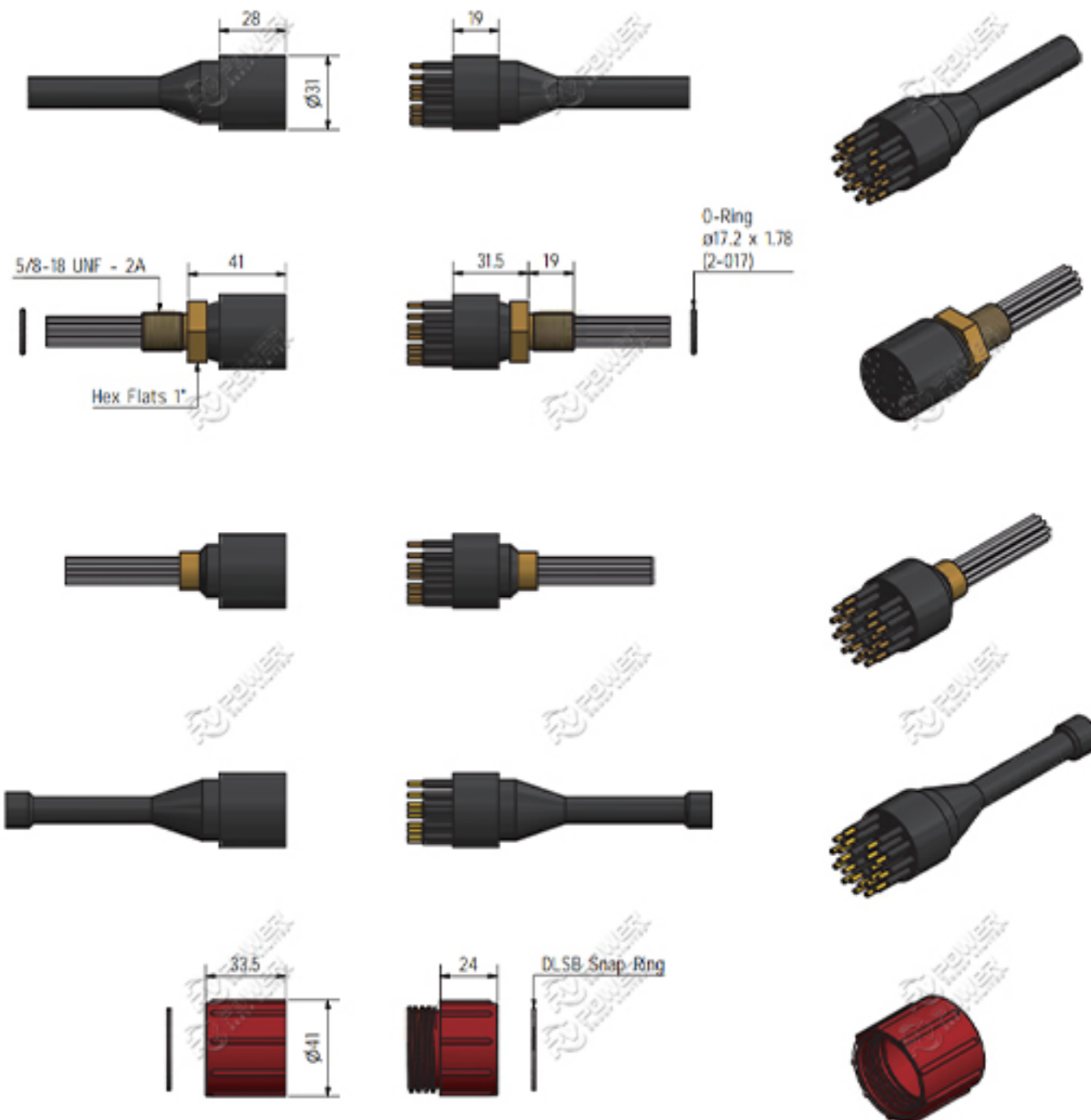
Micro Circular 2, 3, 4, 5, 6 and 8 contacts



Micro Circular 10, 12 and 16 contacts



MICRO CIRCULAR SERIES 21 CONTACT







SUBSEA CONNECTORS AND SUBSEA CABLES

RV POWER GROUP is a underwater connector factory in China. We are a global supplier focusing on the ocean (marine) solution for underwater connectors and cables. Specializing in the design, manufacture, sales and service. If your project is in the design stage, we can provide engineering assistance with the professional advice. If your requirements are already specified and ready for quote, we will try our best to meet your deadlines and pricing targets and finally deliver the high-quality stable products as you need.

RV POWER GROUP subsea connectors and subsea cables are suitable for oceanographic systems, offshore oil and gas, defense systems, geo-seismic research, diving systems and equipment, ship projects, subsea survey, underwater instruments, mining equipment, underwater monitoring/inspection/observations, underwater data logger, subsea navigator, hydrography equipment, aquaculture farm and services inspection, underwater robotics like remote operation vehicles (ROV's & ROTV's) and autonomous Underwater Vehicles (AUV), and submarines, ship towed sonars and underwater acoustic devices, etc.

With the state-of-the-art technology and professional engineer team, we believe you find the right partner here with excellent service. In case you do not find a suitable solution within our standard range, please do not hesitate to contact us for customization.

Underwater and harsh environment connectors

- Circular Series
- Micro Circular Series
- Low Profile Series
- Micro Low Profile series
- Ethernet Series
- Optical fiber and Power Series
- Power Series
- Split Series
- Aviation plug Series
- Coax series
- Metal Shell series
- RMG Series
- 55 Series
- Specials Series
- Underwater PUR Cable
- ROV Tether Cable
- Additional accessories



Instrumentation cables

Fire-performance & mud-resistant cables

ROV dynamic umbilicals

Maritime LAN

Data acquisition cables

Transfer lines

Copper/fiber LAN

Accessories & custom software

LV, MV, HV cables

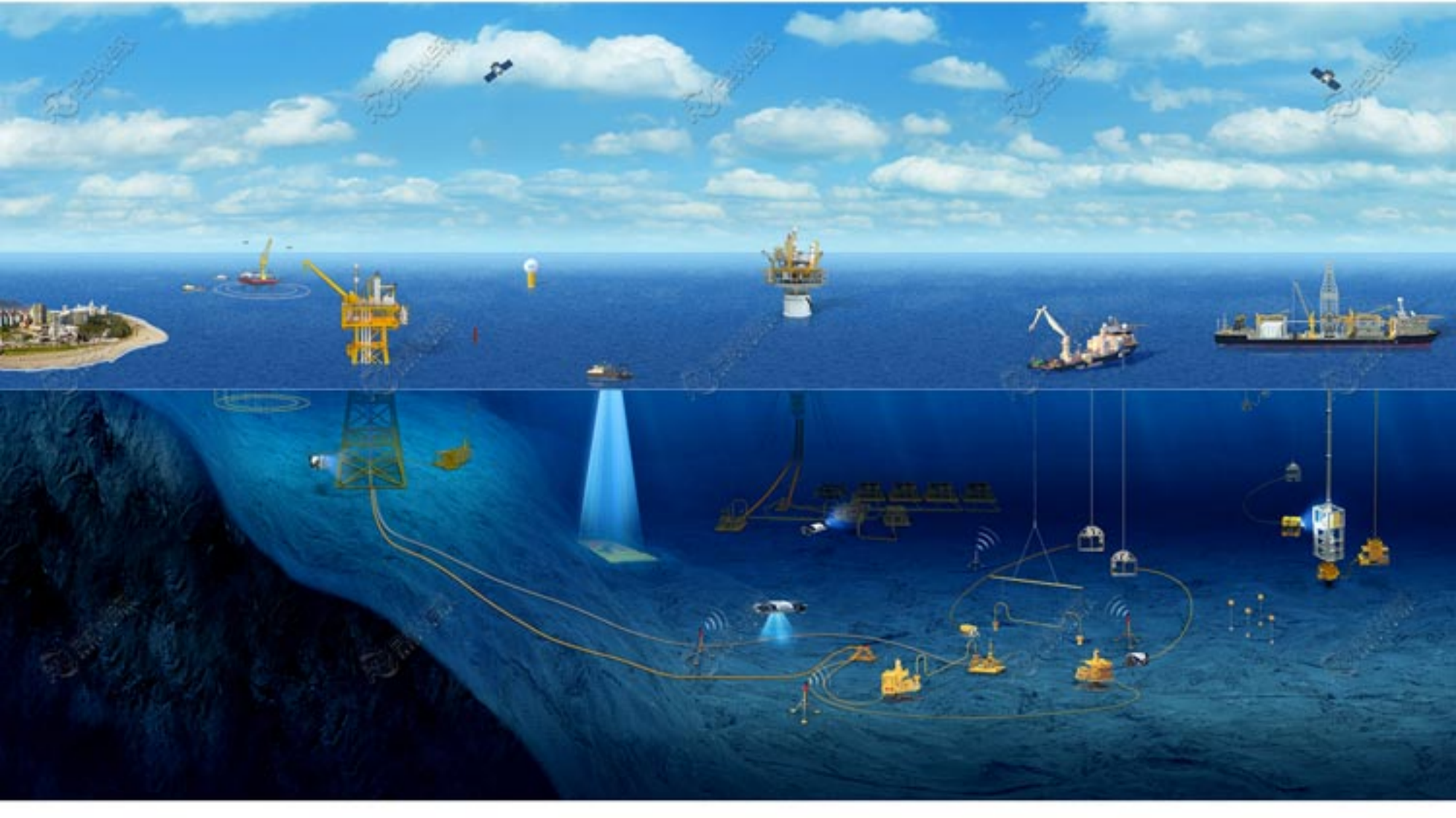
Optical fiber backbones

Heating cables

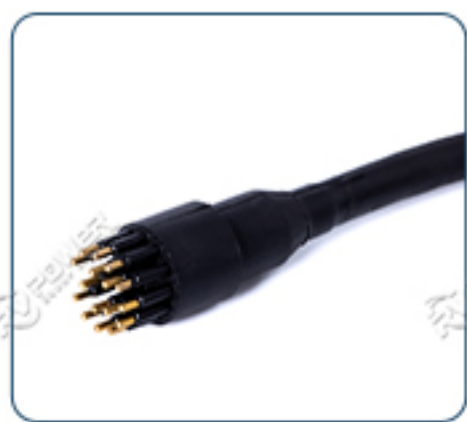
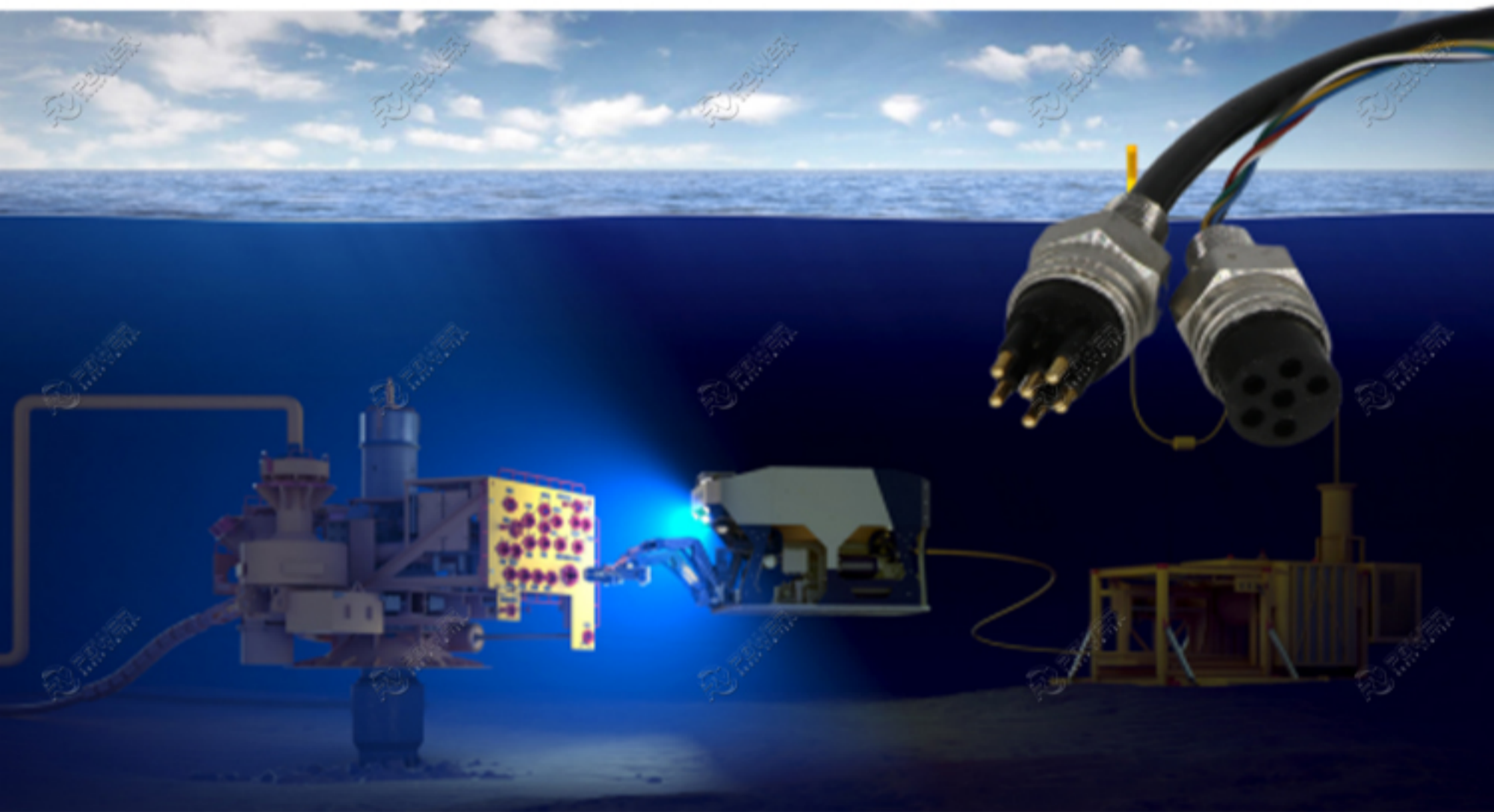
Marine fiber backbones

Remote Operated Vehicles

Umbilicals



MICRO CIRCULAR SERIES UNDERWATER AND HARSH ENVIRONMENT CONNECTORS



DETAIL DISPLAY



ONE

Circular connectors are available in various standard and micro size configurations with 1-21 pins



TWO

High grade chloroprene rubber with different types of body material and feature a high depth rating



THREE

available in different standard shell sizes with contacts rated at 300 to 600 V up to 5 to 10 A.



FOUR

available in bulkhead, in-line and field installable over-mould versions. All bulkhead connectors come with colour coded or numbered PTFE leads



FIVE

dependable and rugged connectivity solution for underwater and harsh marine environment applications





OIL RESISTANT



FLAE RESISTANT



HALOGEN FREE



COLD RESISTANT



ABRASION RESISTANT



OZONE RESISTANT



UV RESISTANT



MICROBE RESISTANT



MUD RESISTANT



WATER RESISTANT

OVER 20 YEARS

OF SPECIAL CABLE AND CUSTOM-MADE CABLE / CONNECTORS MANUFACTURING

WE CAN TURN YOUR DESIGN INTO A REAL OBJECT.

OUR TRANSPORTATION



THANK YOU

FOR YOUR ATTENTION
LOOK FORWARD TO COOPERATING WITH YOU



www.underwaterconn.com



sales@underwaterconn.com



Jackiefanonline88



Tel:+86 18501648956



Whatsapp: +86-18501648956



specialcable