



SPLIT SERIES

UNDERWATER AND HARSH ENVIRONMENT CONNECTORS

Application

- 1 Remotely Operated Vehicle (ROV) and Autonomous Underwater Vehicle (AUV) systems
- 2 Underwater video, camera and lighting systems
- 3 Diving equipment and systems
- 4 Sonar systems
- 5 Oil rig, offshore oil and gas, and renewable energy systems applications
- 6 Oceanographic systems and equipment

Connector material specification

Standard = 316 Stainless Steel

Maximum current carrying capacity for contacts may be affected by cable selection.

Provided proper handling procedures are adhered to.

Locking sleeves are not standard and must be ordered separately. Available in Polyacetal or Stainless Steel.

Bulkhead nut/washer is not standard and must be ordered separately. Available in Stainless Steel.

- Always apply grease before mating
- Disconnect by pulling straight, not at an angle
- Do not pull on the cable and avoid sharp bends at cable entry
- When using a bulkhead connector, ensure that there are no angular loads
- Make sure to apply the recommended torque when tightening bulkhead nuts
- Connectors should not be exposed to extended periods of heat or direct sunlight. If a connector becomes very dry, it should be soaked in fresh water before use

Greasing and mating above water (dry mate)

Recommended level of grease

- Connectors must be greased with Molykote 44 Medium before every mating
- A layer of grease corresponding to minimum 1/10 of socket depth should be applied to the female connector
- The inner edge of all sockets should be completely covered, and a thin transparent layer of grease left visible on the face of the connector
- After greasing, fully mate the male and female connector in order to secure optimal distribution of grease on pins and in sockets
- To confirm that grease has been sufficiently applied, de-mate and check for grease on every male pin. Then re-mate the connector



strong
x
durable



OUR ADVANTAGES



EASY SOLUTIONS

ADAPTABILITY IS ONE OF OUR BEST QUALITIES IT PERMIT US TO COPE WITH YOUR REQUEST ON A SHORT NOTICE AND EFFECTIVELY.



NO PRICE FIGHTS

WE ESCAPED THE CLASSICAL "REBATE UNTIL YOU DROP" POLICY. WE ARE PRICE WISE SINCE THE BEGINNING



HIGH LEVEL EXPERIENCE

OUR TECHNICAL CAPABILITIES HAVE BEEN TESTED FOR MORE THAN 30 YEARS AND IN DIRECT CONNECTION WITH END USERS. SO TO SAY



ENDLESS INVESTIGATION

WE CONTINUOUSLY MEASURE EVERYTHING TEST, TEST AND TEST AGAIN. THIS HELPS US UNDERSTAND RISKS AND REWARDS. AND BE PREPARED



NO FORTUNE TELLER

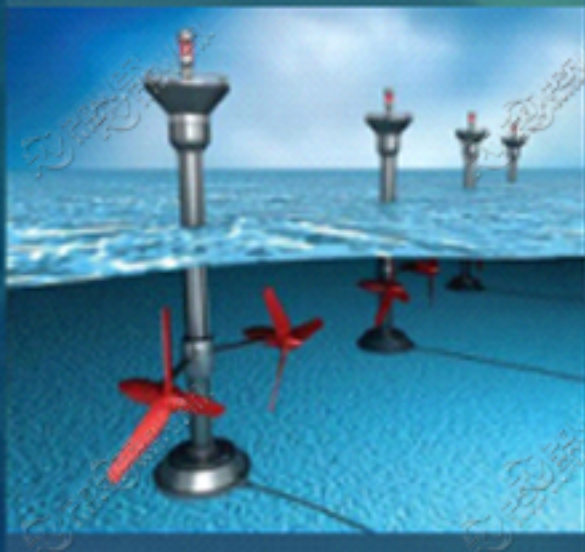
WE BASE OUR DECISIONS ON CLEAR BUSINESS PLANS, THINKING BEFORE MAKING OUR STEPS AND KEEPING A 'NOT TO DO' LIST FOR EVERYONE OF THEM



TEAM BUILDING

OUR TEAM IS MADE NOT ONLY BY OUR STAFF BUT IT INCLUDES ALSO ALL OUR CUSTOMERS WE ACT LIKE A TEAM WE GROW LIKE A TEAM WE WIN LIKE A TEAM

APPLICATION



Marine Renewable Energies



Diving



Oil and Gas



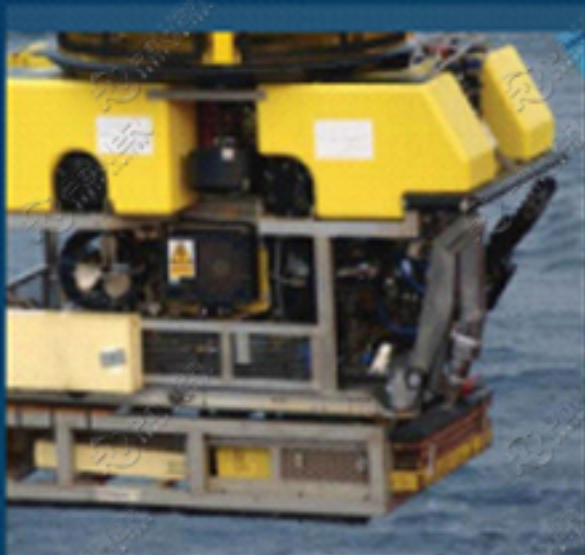
Towed Streamers



Submarines



Water Treatment



ROVs & AUVs



Vessels

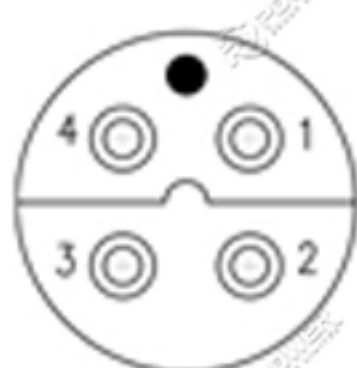


Geophysics

strong
x
durable



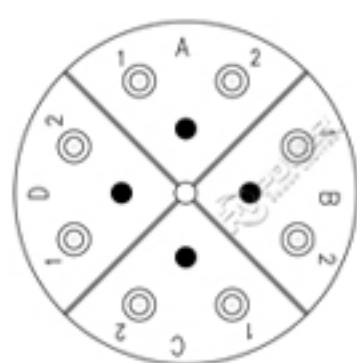
PRODUCT MIX



2 Split Series



3 Split Series



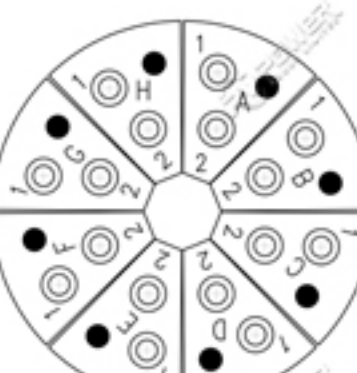
4 Split Series



6 Split Series



7 Split Series

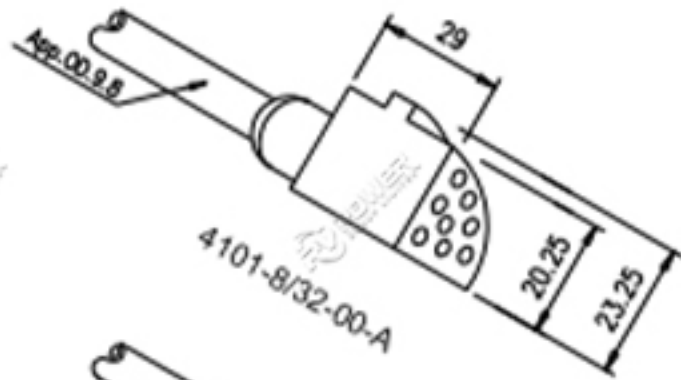


8 Split Series

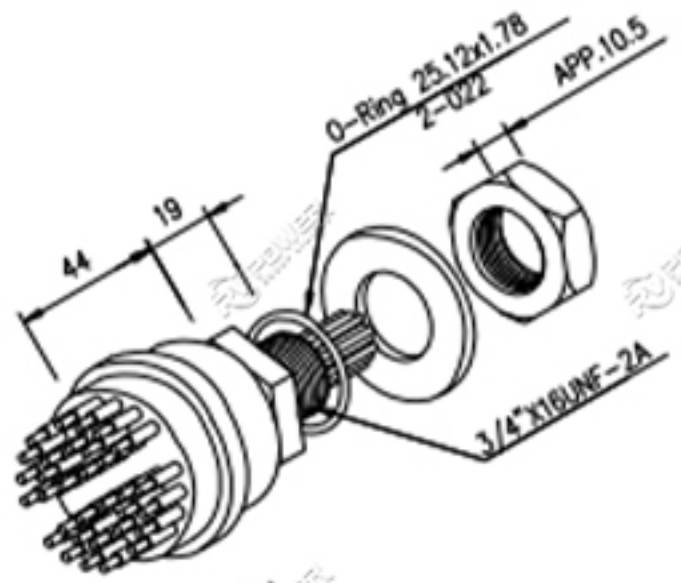


12 Split Series

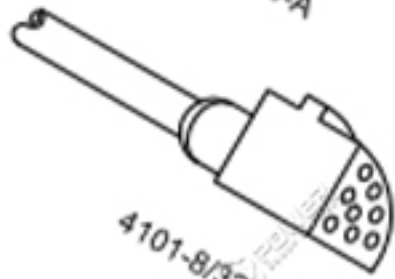
8 Split Series



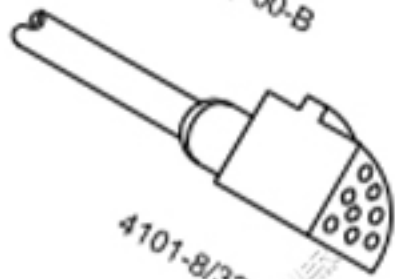
4101-8/32-00-A



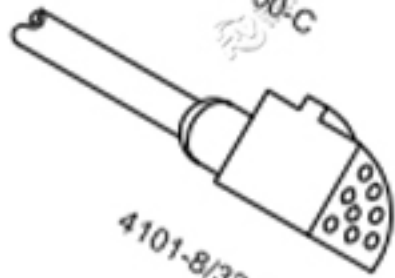
4102-8/32-11



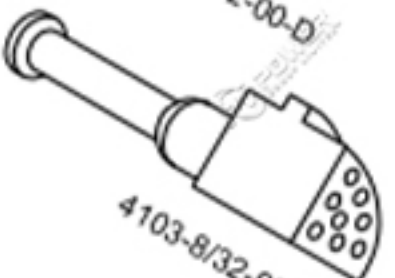
4101-8/32-00-B



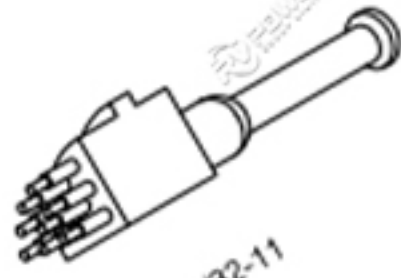
4101-8/32-00-C



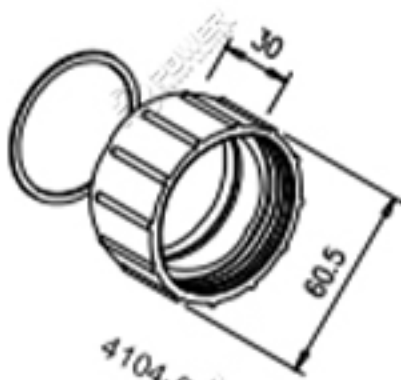
4101-8/32-00-D



4103-8/32-00



4103-8/32-11



4104-00



4104-11



SUBSEA CONNECTORS AND SUBSEA CABLES

RV POWER GROUP is a underwater connector factory in China. We are a global supplier focusing on the ocean (marine) solution for underwater connectors and cables. Specializing in the design, manufacture, sales and service. If your project is in the design stage, we can provide engineering assistance with the professional advice. If your requirements are already specified and ready for quote, we will try our best to meet your deadlines and pricing targets and finally deliver the high-quality stable products as you need.

RV POWER GROUP subsea connectors and subsea cables are suitable for oceanographic systems, offshore oil and gas, defense systems, geo-seismic research, diving systems and equipment, ship projects, subsea survey, underwater instruments, mining equipment, underwater monitoring/inspection/observations, underwater data logger, subsea navigator, hydrography equipment, aquaculture farm and services inspection, underwater robotics like remote operation vehicles (ROV's & ROTV's) and autonomous Underwater Vehicles (AUV), and submarines, ship towed sonars and underwater acoustic devices, etc.

With the state-of-the-art technology and professional engineer team, we believe you find the right partner here with excellent service. In case you do not find a suitable solution within our standard range, please do not hesitate to contact us for customization.

Underwater and harsh environment connectors

Circular Series

Micro Circular Series

Low Profile Series

Micro Low Profile series

Ethernet Series

Optical fiber and Power Series

power series

Aviation plug Series

Coax series

Metal Shell series

RMG Series

55 Series

Specials Series

Underwater PUR Cable

ROV Tether Cable

Additional accessories



ETHERNET SERIES

UNDERWATER AND HARSH ENVIRONMENT CONNECTORS



strong
x
durable



DETAIL DISPLAY



ONE

Maximum current carrying capacity for contacts may be affected by cable selection.

TWO

Locking sleeves are standard



THREE

Provided proper handling procedures are adhered to



FOUR

Standard = 316 Stainless Steel



FIVE

Bulkhead nut/washer is standard. Available in Stainless Steel.





OIL RESISTANT



FLAME RESISTANT



HALOGEN FREE



COLD RESISTANT



ABRASION RESISTANT



OZONE RESISTANT



UV RESISTANT



MICROBE RESISTANT



MUD RESISTANT



WATER RESISTANT



OVER 20 YEARS

OF SPECIAL CABLE AND CUSTOM-MADE CABLE / CONNECTORS MANUFACTURING

WE CAN TURN YOUR DESIGN INTO A REAL OBJECT.



OUR TRANSPORTATION



THANK YOU

FOR YOUR ATTENTION
LOOK FORWARD TO COOPERATING WITH YOU



www.underwaterconn.com



sales@underwaterconn.com



Jackiefanonline88



Tel:+86 18501648956



Whatsapp: +86-18501648956



specialcable